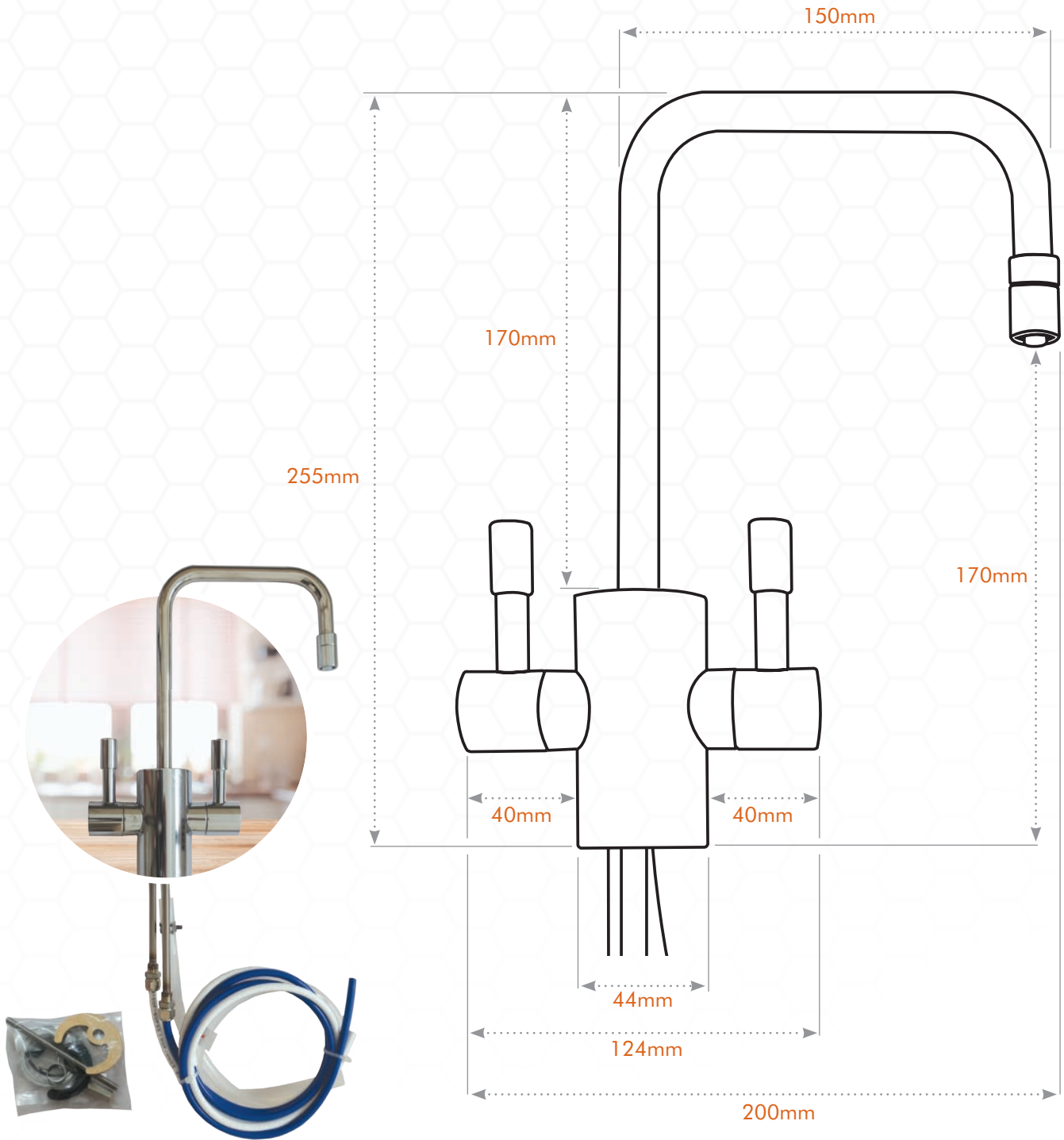


SPECIFICATIONS

WFA DUO Squareneck Tap



Unit 1, 91-93 Old Pittwater Road Brookvale NSW 2100
PO Box 636 Freshwater NSW 2096
Phone: 1300 785 355
Email: info@wfa.com.au

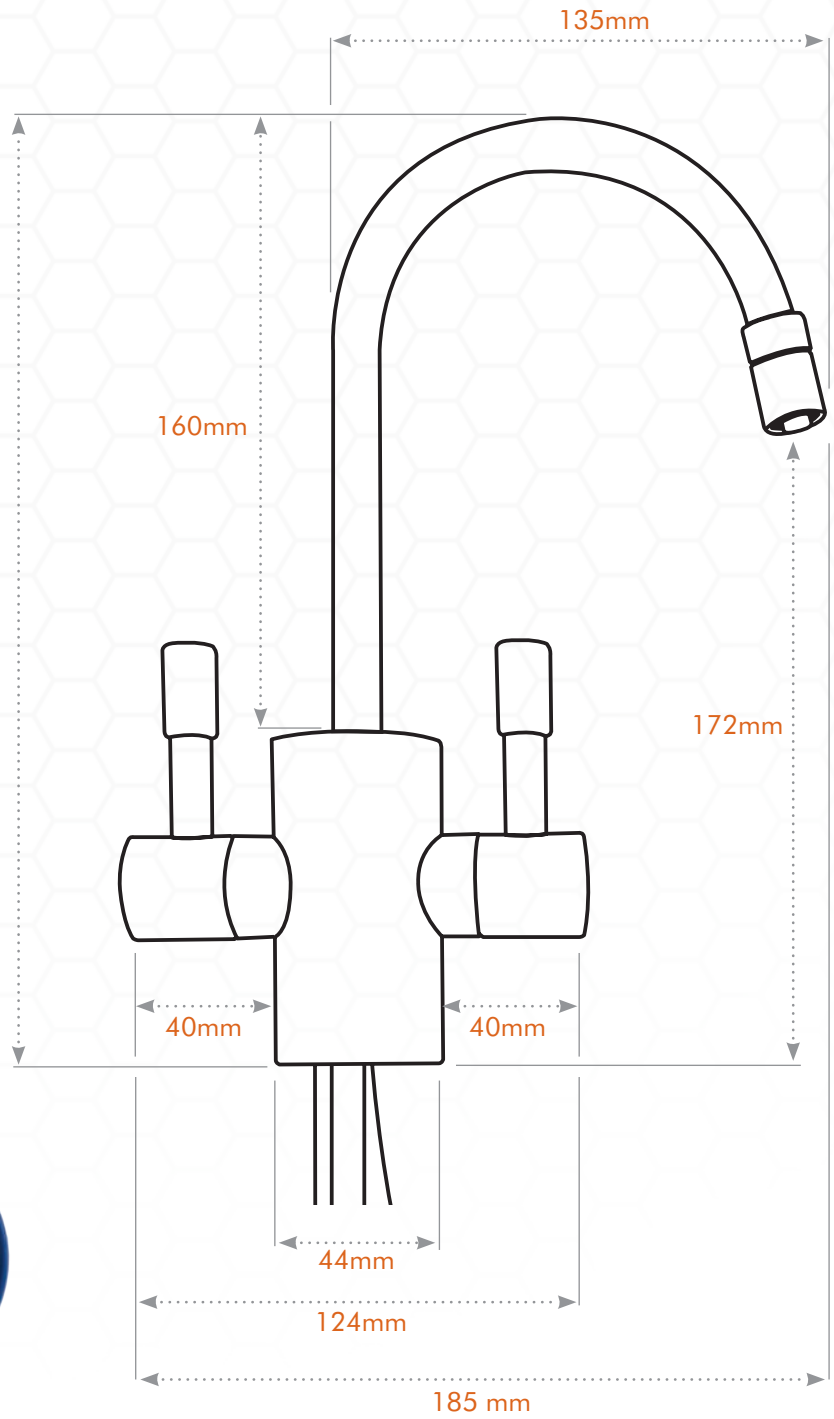
WaterFilters
AUSTRALIA
www.wfa.com.au

SPECIFICATIONS

WFA DUO Gooseneck Tap



250mm



135mm

160mm

172mm

40mm

40mm

44mm

124mm

185mm